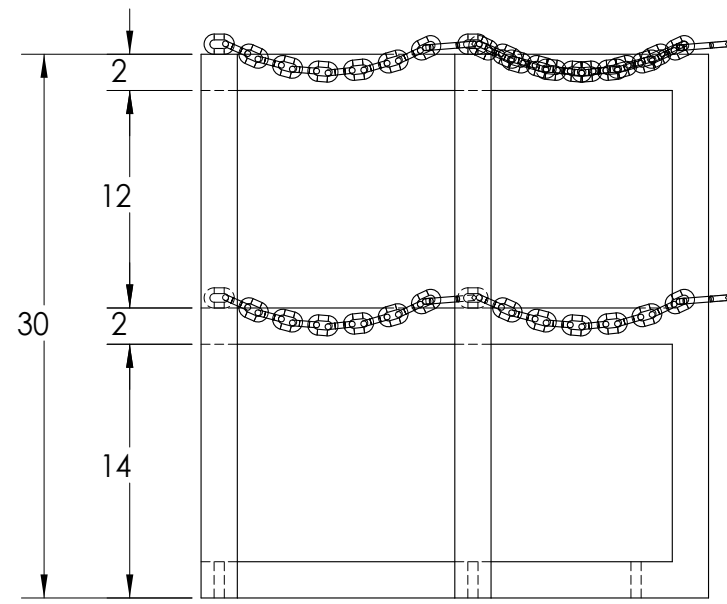
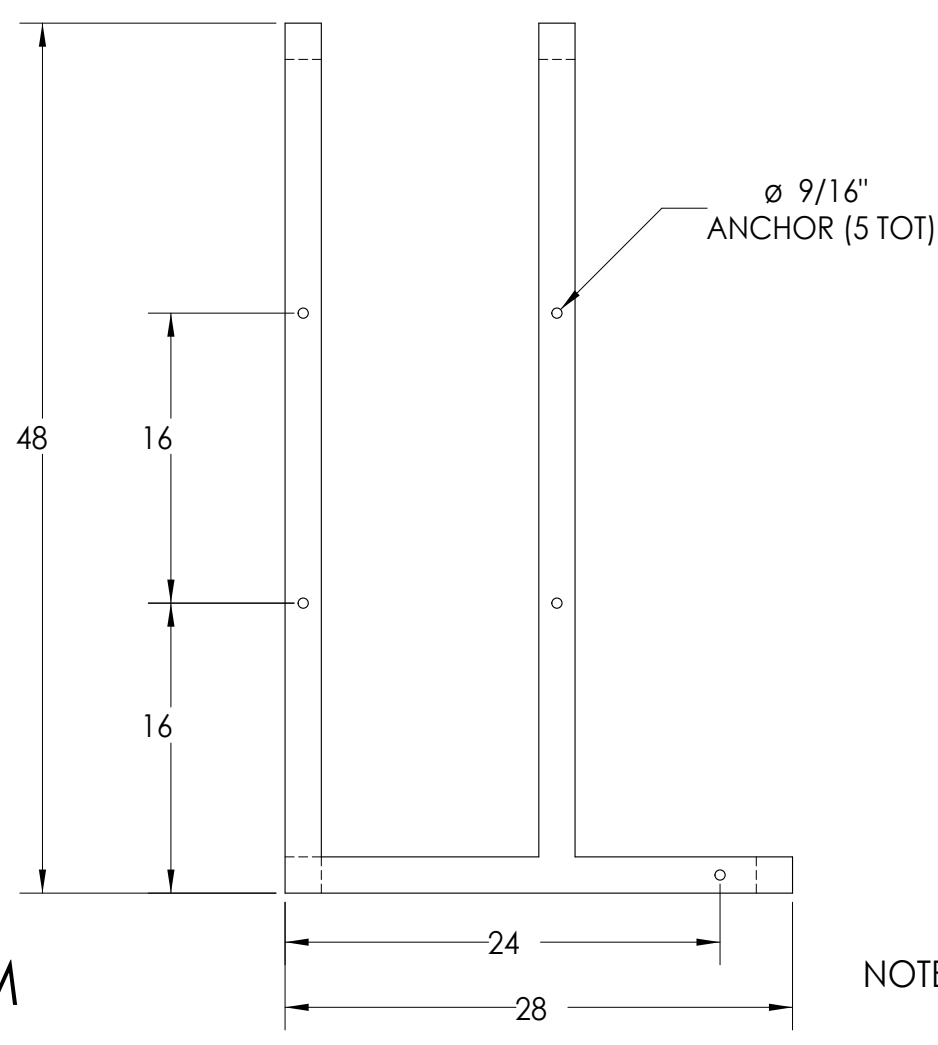


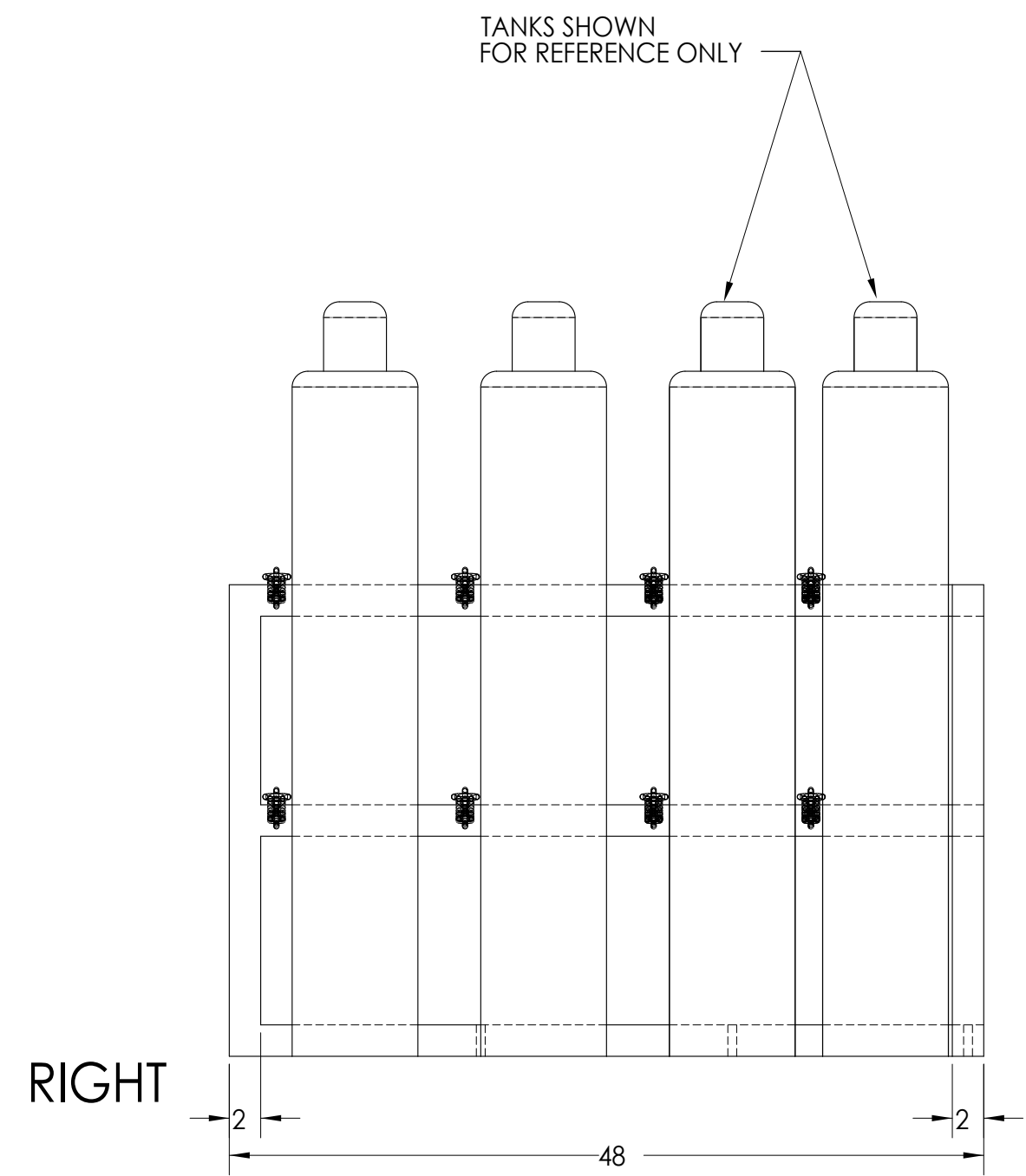
TOP



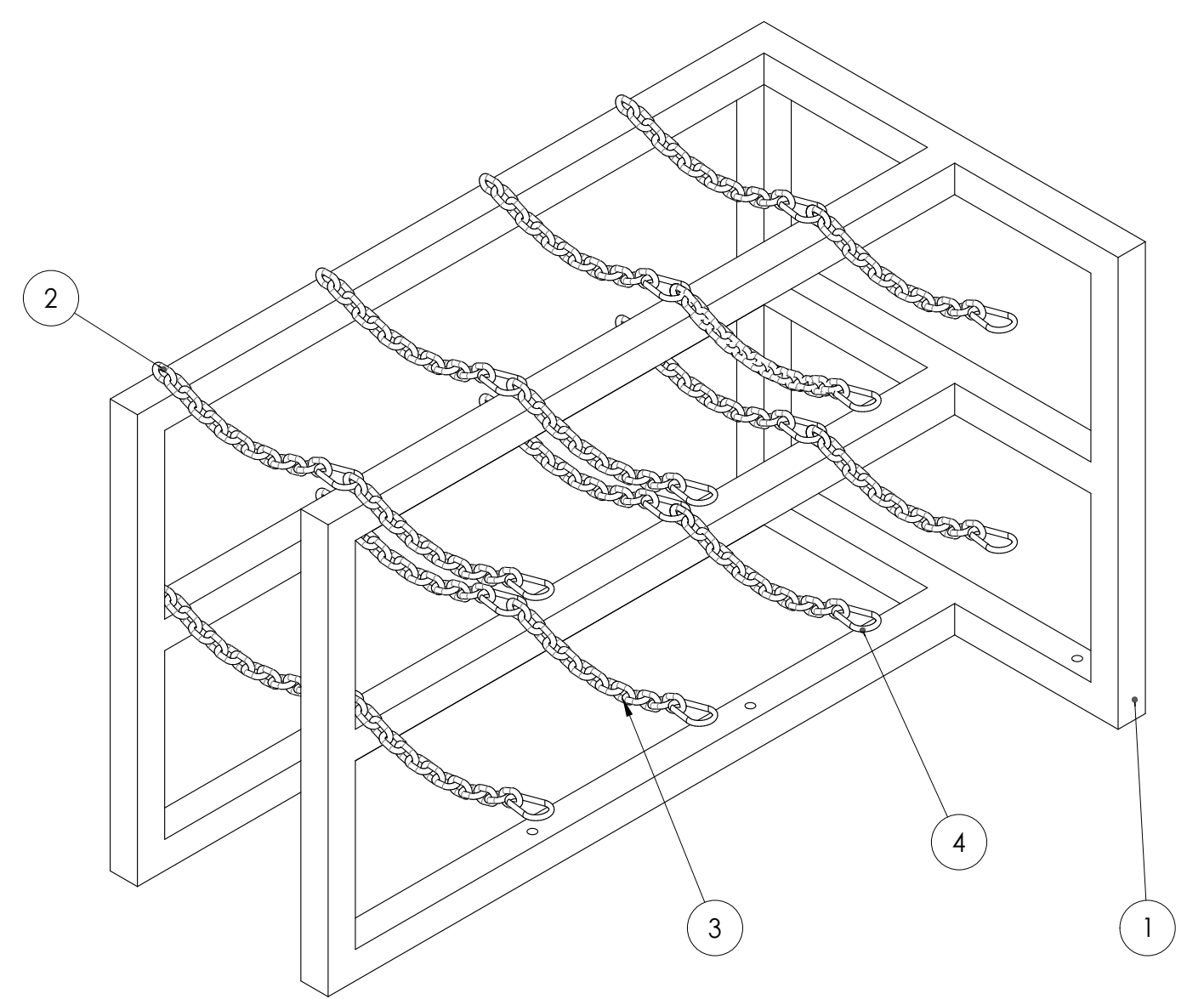
FRONT



BOTTOM



RIGHT



ISOMETRIC
SCALE 1:8

| ITEM NO. | MATERIAL | DESCRIPTION | QTY. |
|----------|--|---|------|
| 1 | HSS 2" X 2" X 1/8" (NON OPA VERSION) HSS 2" X 2" X 1/4" (OPA VERSION) | HSS STEEL FRAME CUT AND WELDED TO RACK SIZE | 1 |
| 2 | 5/16" STEEL WELDED LINK CHAIN (1,900 LBS LOAD RATING) | 5/16" SINGLE WELDED LINK WELDED TO RACK FRAME | 16 |
| 3 | 5/16" STEEL WELDED LINK CHAIN (1,900 LBS LOAD RATING) | 5/16" STEEL WELDED LINK CHAIN CUT TO SIZE | 16 |
| 4 | 5/16" STEEL CARABINER HOOK (520 LBS LOAD RATING) | 5/16" STEEL CARABINER | 16 |

NOTE: CHAINS REMOVED FOR CLARITY

PROPRIETARY AND CONFIDENTIAL
THE INFORMATION CONTAINED IN THIS DRAWING IS THE SOLE PROPERTY OF <INSERT COMPANY NAME HERE>. ANY REPRODUCTION IN PART OR AS A WHOLE WITHOUT THE WRITTEN PERMISSION OF <INSERT COMPANY NAME HERE> IS PROHIBITED.

| | | | | | |
|---|--|---|--|--------------|---------------|
| | | UNLESS OTHERWISE SPECIFIED: | | NAME | DATE |
| | | DIMENSIONS ARE IN INCHES TOLERANCES: FRACTIONAL ± ANGULAR: MACH ± BEND ± TWO PLACE DECIMAL ± THREE PLACE DECIMAL ± | | DRAWN | |
| INTERPRET GEOMETRIC TOLERANCING PER: MATERIAL FINISH | | CHECKED ENG APPR. MFG APPR. Q.A. COMMENTS: | | TITLE: | |
| NEXT ASSY USED ON APPLICATION DO NOT SCALE DRAWING | | TITLE: MODEL 4D2W-L | | SIZE | DWG. NO. |
| | | | | C | 4D2W-L |
| | | | | SCALE: 1:10 | WEIGHT: |
| | | | | SHEET 1 OF 1 | |