

Accessory Trim Plates For Outlets



3-1/4" Console Trim Plate



Plastic Console Trim Plate



Stainless Steel Filler Plate

General Specifications:

3-1/4" CONSOLE TRIM PLATE

3-1/4" plate is made from zinc metal.
Available in Gray paint or chrome plated.

MODEL NUMBERS

O-TRIM-M325G	Gray Painted
O-TRIM-M325C	Chrome Finish

PLASTIC CONSOLE TRIM PLATES

Accessory trim plates are made from ABS fire retardant plastic material. Trim plates are available in three basic colors: Gray, Black and White .

MODEL NUMBERS

O-TRIM-P275G	Gray
O-TRIM-P275B	Black
O-TRIM-P275W	White

STAINLESS STEEL FILLER FRAME

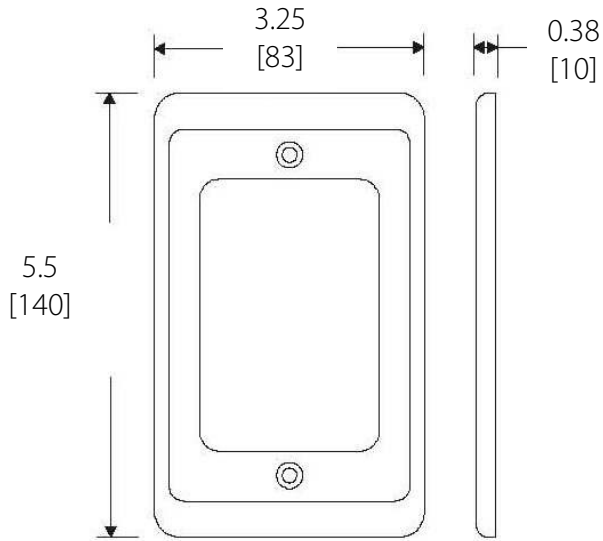
The plate is made from stainless steel and is used when you have double stacked drywall up to 1 1/4" thick so that the frame is flush to the drywall.

MODEL NUMBER

O-TRIM-M500SS

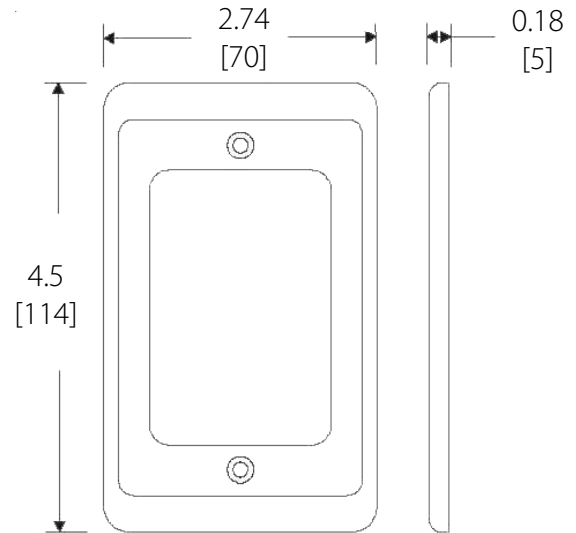
Technical Specifications

Inch
[mm]



Model Numbers

O-TRIM-M325G Gray Painted
O-TRIM-M325C Chrome Finish



Model Numbers

O-TRIM-P275G Gray
O-TRIM-P275B Black
O-TRIM-P275W White

Model Numbers

O-TRIM-M500SS

