

# Outlet Surface Mounting Box



## Features:

Single-outlet surface mounting box

Accepts any Amico console outlet

Baked painted steel (18 gauge) bracket is screwed to wall holding outlet rough-in in place for piping to gas supply line

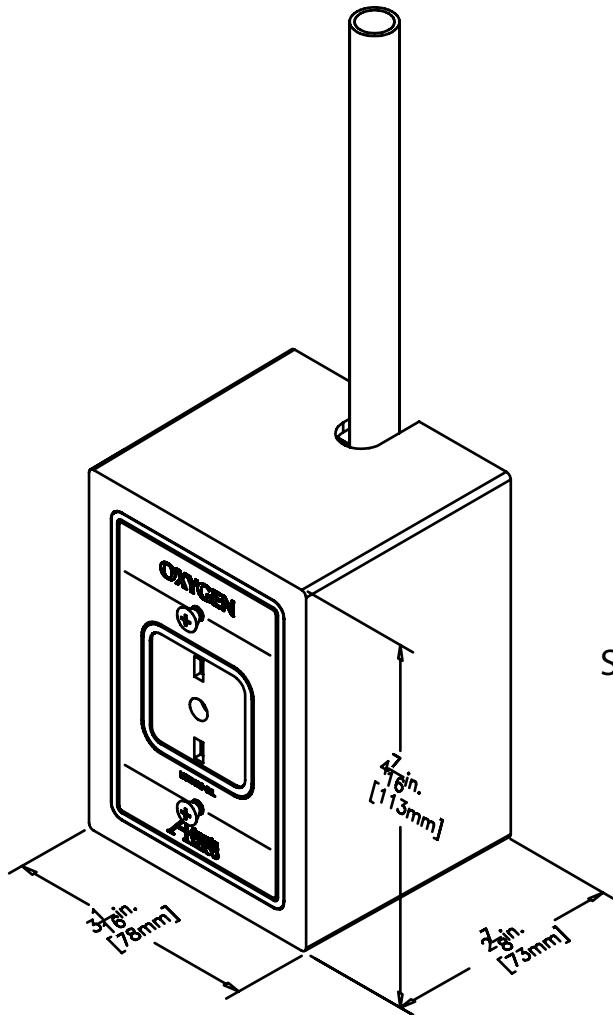
White ABS fire retardant plastic cover box and outlet latch valve assembly complete surface mounting outlet

Surface box is also available for M.R.I. use

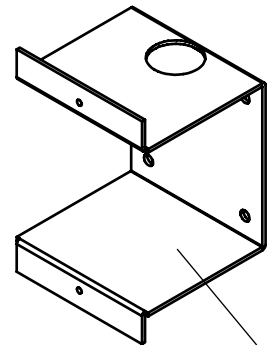
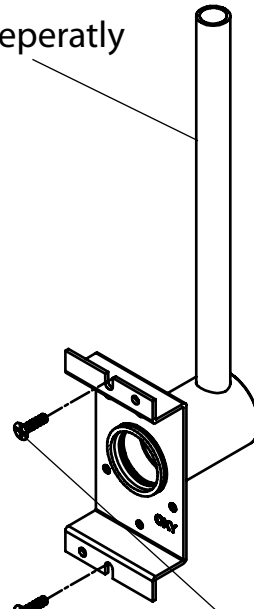
# Technical Specifications

## O-SURF-BOX

Consisting of:	O-SURF-X-BRKT	(1)
	H-MPR-0605	(2)
	O-X-SURF-BOXPL2	(1)

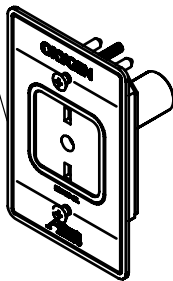


Sold Separatly



Bracket  
**O-SURF-X-BRKT**

Sold Separatly



Cover Box  
**O-X-SURF-BOXPL2**

Mounting Screws  
**H-MPR-0605**