

Oxequip/Medstar Compatible



General Specifications:

The medical gas outlet shall be an Amico Alert-1 series.

Outlets shall be manufactured with a 6 - 1/2" [165 mm] length type "K" 1/2" [12.7 mm] outside diameter (3/8" nominal) size copper inlet pipe stub which is silver brazed to the outlet body. The body shall be of 1 - 5/16" [33 mm] diameter, one piece brass construction. For positive pressure gas services, the outlet shall be equipped with a primary and secondary check valve and the secondary check valve shall be rated at a maximum of 200 psi [1,379 kPa] in the event the primary check valve is removed for maintenance. Outlet bodies shall be gas specific by indexing each gas service to a gas specific dual pin indexing arrangement on the respective identification module.

A large color coded front plate shall be used for ease of gas identification and aesthetic appeal.

With the back rough-in mounted, the outlet shall adjust from 3/8" [10 mm] up to 1" [25 mm] variation in mounting plate thickness.

The latch-valve assembly shall be Oxequip / Medstar type and only accept corresponding Oxequip / Medstar type gas specific adapters.

All outlets shall be cleaned and degreased for medical gas service, factory assembled and tested.

The outlets are UL Listed and ETL Listed.

Amico products comply with NFPA-99 and CSA.

Features:

Flow rate exceeds the requirements of NFPA

Accepts only Oxequip / Medstar gas specific adapters

100 % Hydrostatic testing of each outlet and cleaned for medical gas service

Indexed to eliminate interchangeability of gas services

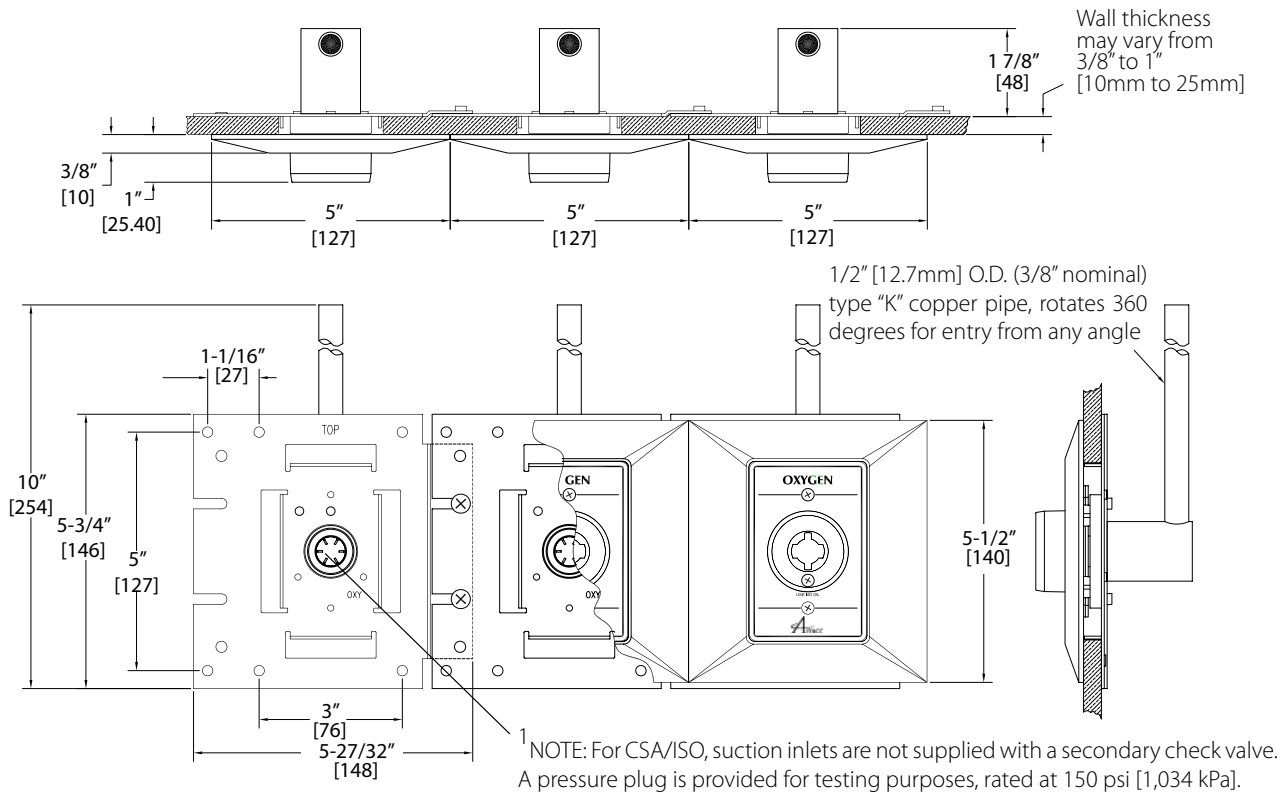
Up to 1" [25 mm] mounting plate thickness adjustment

360° swivel inlet pipe for easy installation

Technical Specifications

NOTE:
Amico recommends that you have a blank space between outlets and slides.
Maximum 3 outlets may be ganged together without additional support.

Inch
[mm]



Model Numbers

Front Latch Valve:

O-FASC-OX-L-XXX

Wall Assembly:

O-OXWAL-L-XXX

Example: Oxygen NFPA = **O-OXWAL-U-OXY**

M.R.I. Model Numbers

Front Latch Valve:

O-FAMC-OX-L-XXX

Wall Assembly:

O-OXWALM-L-XXX

Example: English Console Assembly = **O-OXWALM-U-OXY**

The L defines the Language:

- U = English (NFPA)
Oxygen, Medical Air, and
Medical Vacuum
- E = English (CSA/ISO)
- F = French (CSA/ISO)

The XXX defines the Gas:

- Oxygen = OXY
- Medical Air = AIR
- Nitrous Oxide = N2O
- MedVac¹ = VAC
- Waste Anesthetic
Gas Disposal
(NFPA) = WAG
- Anesthetic Gas
Scavenging
System¹ (CSA) = AGS
- Carbon Dioxide = CO2

¹Please see note above