

# Outlet Repair Kit for Latch-Valve Assemblies And Back Body Assemblies

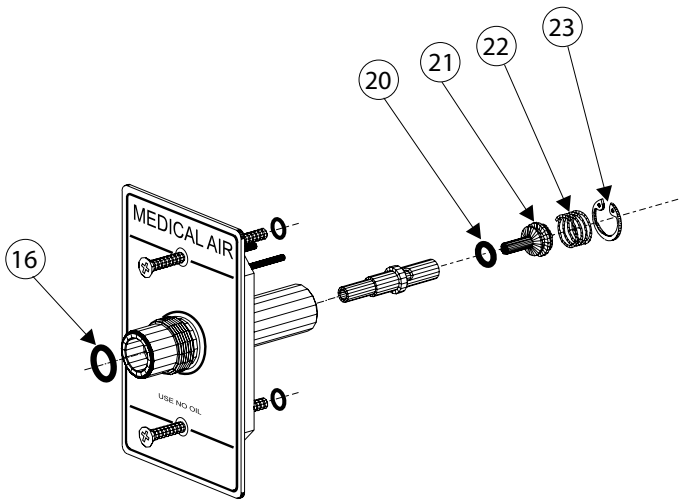
## General Specifications:

### OUTLET CARE

Outlets manufactured by Amico Corporation are ALL cleaned for Oxygen service. USE NO OIL when operating or cleaning the outlets. Outlets must be checked for wear, damage and proper function once a year. Outlets subject to high use should be inspected at least every three months.

## Model Numbers

### DISS Latch-Valve Assembly

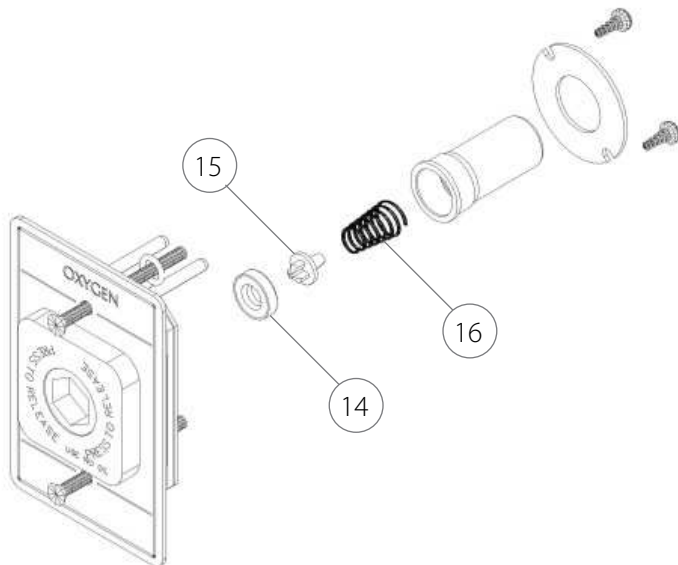


Repair Kit Part Number: **O-RK-LVA-DIS**

Item	Description
16a	O-Ring (Nitrogen)
16b	O-Ring (Vacuum)
16c	O-Ring (Nitrous Oxide)
	*** Oxygen has no O-Ring ***
20	Primacy Check-Valve O-Ring
21	Brass Primary Check-Valve
22	Primary Check-Valve Spring
23	C-Clip Primary Check-Valve

\* Compatible with all gases

### Puritan-Bennett Latch-Valve Assembly



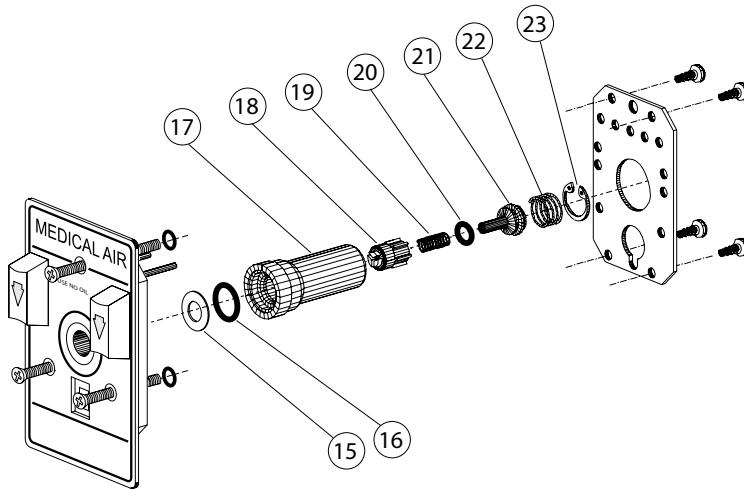
Repair Kit Part Number: **O-RK-LVA-PB**

Item	Description
14	Body Seal
15	Poppet for Body
16a	Body Spring (All Gases)
16b	Body Spring (Vacuum)

\* Compatible with all gases

# Model Numbers

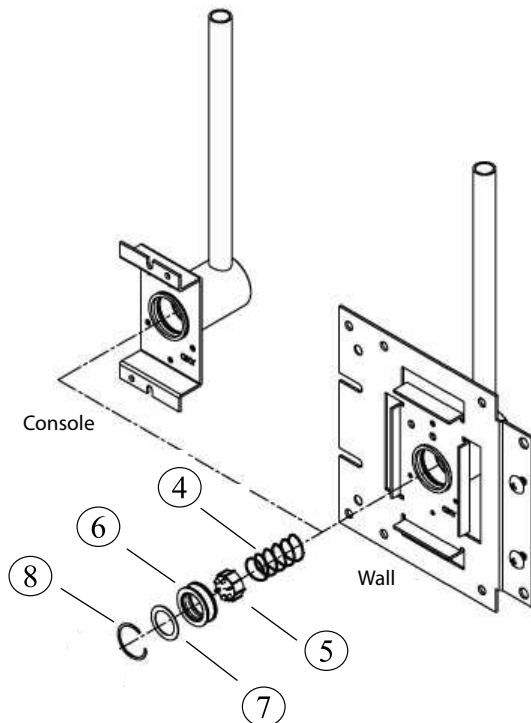
## Chemetron/Ohmeda Latch-Valve Assembly



Repair Kit Part Number: <b>O-RK-LVA-QD</b>	
Item	Description
15	Stainless Washer
16	O-Ring
18a	Primary Dust Cap (Vacuum)
18b	Primary Dust Cap (All Gases)
19	Primary Dust Cap Spring
20	Primary Check-Valve O-Ring
21	Brass Primary Check-Valve
22a	Primary Check-Valve Spring (Vacuum)
22b	Primary Check-Valve Spring (All Gases)
23	C-Clip Primary Check-Valve

\* Compatible with all gases

## Back Body Repair Kit for Wall & Console



Repair Kit Part Number: <b>O-RK-BAK</b>	
Item	Description
4	Secondary Check-Valve Spring
5	Secondary Check-Valve
6	Seat/Seal
7	Washer
8	Retaining Ring

\* Compatible with all gases