

Latch-Valve Assembly Oxequip

FRONT



SIDE



General Specifications:

The Extended Latch-Valve Assembly shall accommodate a 3/4" to 1-1/4" wall thickness.

A large color coded Front plate shall be used for ease of gas identification and aesthetic appeal.

Extended Latch-Valve Assemblies are available for Ohmeda Compatible, DISS, Puritan-Bennet Compatible, Chemetron Compatible and Oxequip Compatible Outlets.

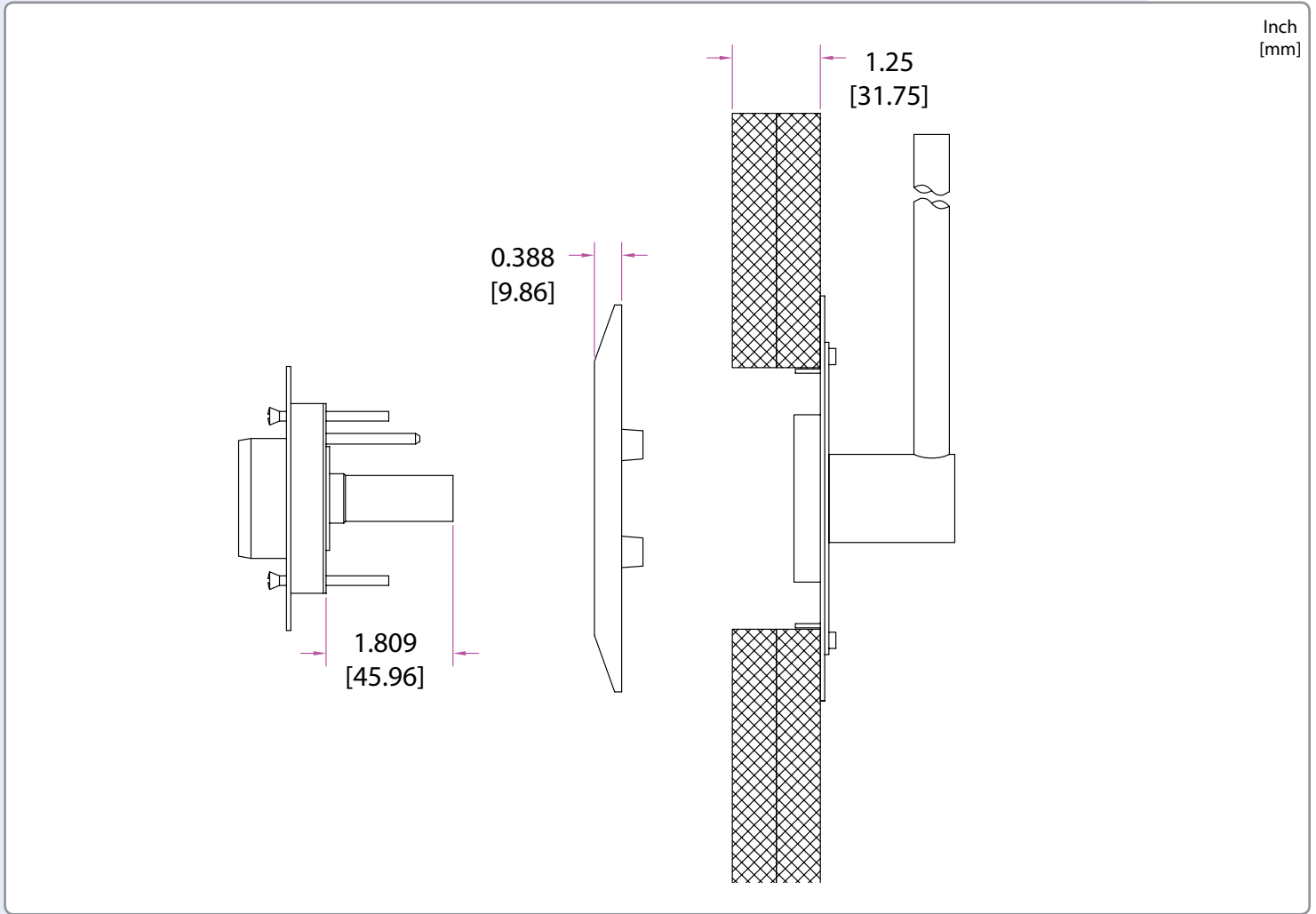
All Extended Latch-Valve Assemblies shall be cleaned and degreased for medical gas service, factory assembled and tested.

Flow rate exceeds the requirements of NFPA.

Extended Latch-Valve Assemblies are UL Listed and ETL Listed.

Amico products comply with NFPA-99.

Technical Specifications



Model Numbers

O-FASE-OX-L-XXX

The "L" Defines the Language:

- U = English (NFPA) Oxy, Air, Vac and WAG only
- E = English (CSA/ISO)
- F = French (CSA/ISO)

The XXX defines the Gas:

- Oxygen = OXY
- Medical Air = AIR
- Carbon Dioxide = CO2
- Nitrous Oxide = N2O
- MedVac = VAC
- Waste Anesthetic Gas Disposal (NFPA) = WAG
- Anesthetic Gas Scavenging System (CSA) = AGS