

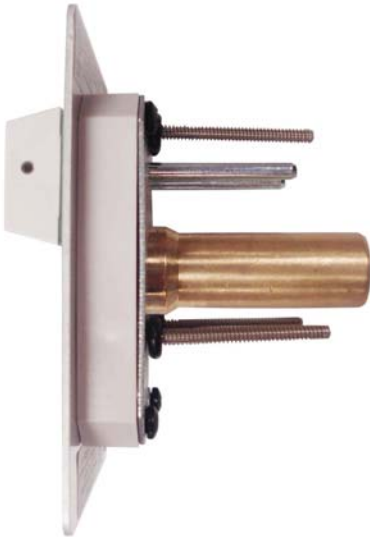
# Extended Latch-Valve Assembly Chemetron



FRONT



SIDE



## General Specifications:

The Extended Latch-Valve Assembly shall accommodate a 3/4" to 1-1/4" wall thickness.

A large color coded Front plate shall be used for ease of gas identification and aesthetic appeal.

Extended Latch-Valve Assemblies are available for Ohmeda Compatible, DISS, Puritan-Bennet Compatible, Chemetron Compatible and Oxequip Compatible Outlets.

All Extended Latch-Valve Assemblies shall be cleaned and degreased for medical gas service, factory assembled and tested.

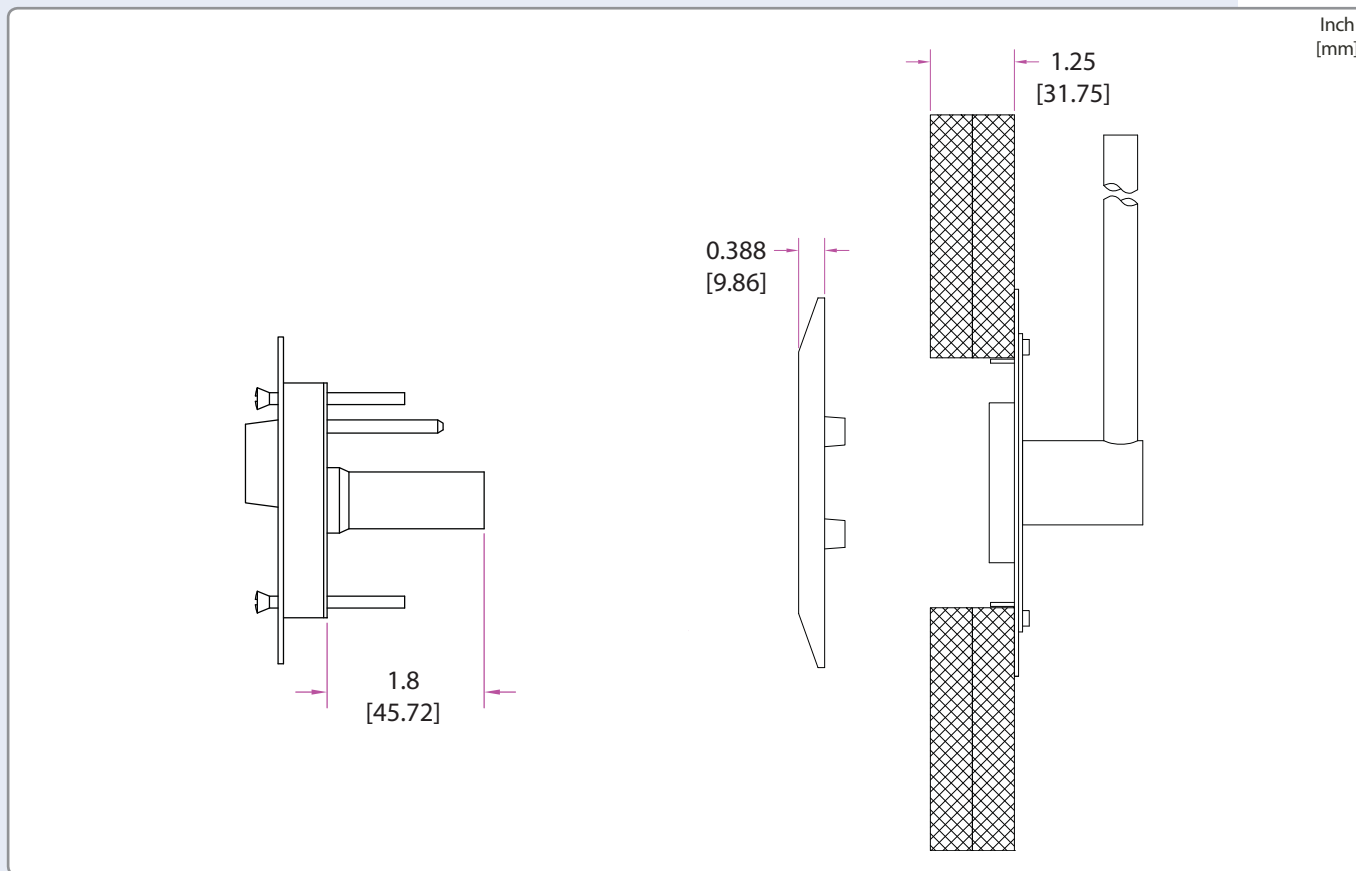
Flow rate exceeds the requirements of NFPA.

Extended Latch-Valve Assemblies are UL Listed and ETL Listed.

Amico products comply with NFPA-99.



# Technical Specifications



## Model Numbers

### O-FASE-XX-L-GAS

#### The Letters "XX" Defines the Latch-Valve Assembly Type:

- QD = Ohmeda Compatible
- CH = Chemetron Compatible
- PB = Puritan-Bennett Compatible
- DI = DISS
- OX = Oxequip Medstar Compatible

#### The Letter "L" Defines the Language:

- U = English (NFPA) OXY, AIR, VAC & WAG
- E = English (CSA/ISO)

#### The Word "GAS" defines the Type of Gas:

- |  |       |
|--|-------|
| Oxygen                                 | = OXY |
| Nitrogen *                             | = NIT |
| Medical Air                            | = AIR |
| Carbon Dioxide **                      | = CO2 |
| Nitrous Oxide                          | = N2O |
| Medvac                                 | = VAC |
| Waste Anesthetic Gas Disposal (NFPA)   | = WAG |
| Anesthetic Gas Scavenging System (CSA) | = AGS |

**NOTE:**

- \* Nitrogen available in DISS
- \*\* Carbon Dioxide not available for Puritan-Bennett