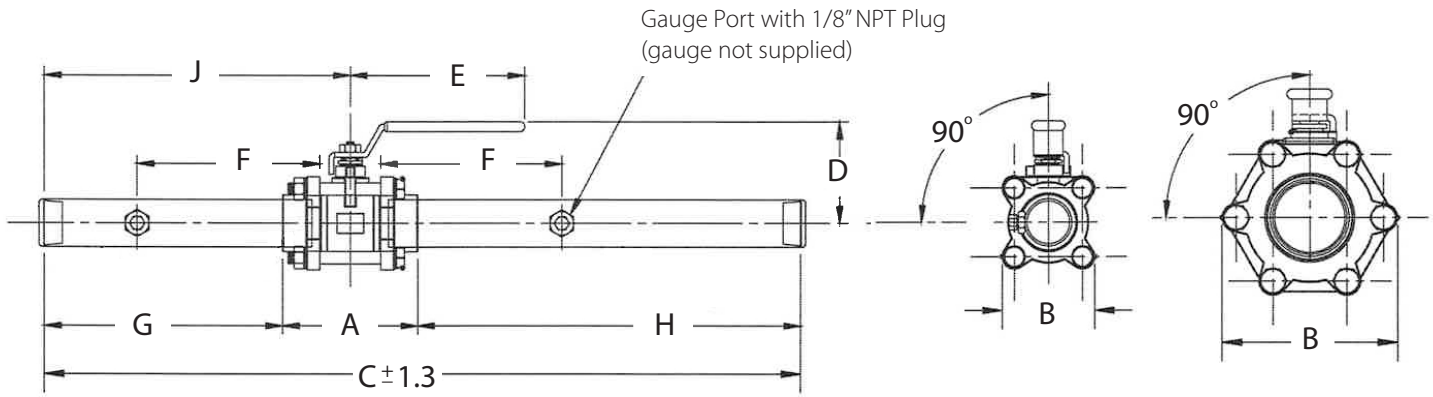
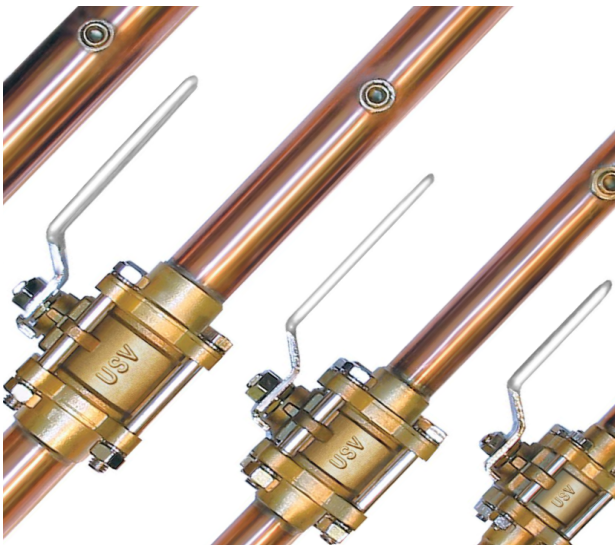
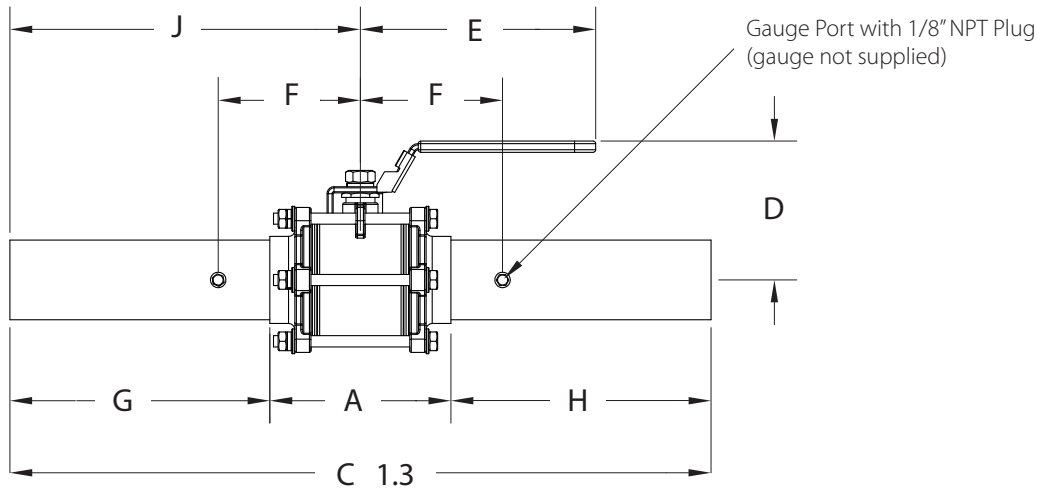


Technical Specifications

Inch
[mm]



*4 Bolt design shown



"Your Compressed Gas Equipment Specialists"

Model Numbers

Model #	Size	A	B	C	D	E	F	G	H	J	Bolts
CMS-41050-01	1/2 (13)	2-63/100 (67)	1-39/50 (45)	21 (533)	1-69/100 (43)	3-17/50 (85)	4 (102)	6-59/100 (167)	11-3/4 (299)	7-9/10 (201)	4
CMS-41075-01	3/4 (19)	2-47/50 (75)	2 (51)	21 (533)	2 (51)	4-17/50 (110)	4 (102)	6-14/25 (167)	11-1/2 (292)	8-3/100 (204)	4
CMS-41100-01	1 (25)	3-4/9 (87)	2-1/4 (57)	21 (533)	2-4/25 (55)	4-17/50 (110)	4 (102)	6-9/32 (156)	11-1/4 (286)	8 (203)	4
CMS-41125-01	1-1/4 (32)	3-97/100 (101)	2-18/25 (69)	21 (533)	2-69/100 (68)	5-13/100 (130)	4 (102)	5-3/4 (146)	11-1/4 (286)	7-7/10 (196)	4
CMS-41150-01	1-1/2 (38)	4-4/9 (113)	3-3/100 (77)	21 (533)	2-8/9 (73)	5-13/100 (130)	4 (102)	5-41/100 (137)	11-13/100 (283)	7-3/5 (193)	4
CMS-41200-01	2 (51)	5-14/25 (141)	3-69/100 (94)	19-47/50 (506)	3-17/50 (85)	6-31/100 (160)	2-8/9 (73)	5-1/4 (133)	9-13/100 (232)	8-1/50 (204)	4
CMS-41250-01	2-1/2 (64)	6-47/64 (141)	4-23/25 (125)	30-3/4 (781)	4-29/100 (109)	9-1/20 (230)	4 (102)	12-21/100 (310)	11-81/100 (300)	15-57/100 (396)	6
CMS-41300-01	3 (76)	7-3/5 (192)	5-1/2 (140)	32-1/4 (819)	4-3/5 (117)	9-1/20 (230)	4 (102)	12-4/5 (326)	11-17/20 (301)	16-31/50 (422)	6
CMS-41400-01	4 (102)	9-4/5 (249)	7-29/64 (189)	32 (813)	6-17/20 (174)	11-73/100 (298)	4 (102)	11-1/10 (282)	11-1/10 (282)	16 (407)	6

*Measurements: inches (millimeters)

NOTE: All Valves Are Cleaned For Oxygen Use and Include Locking Handles.



"Your Compressed Gas Equipment Specialists"