

Compact Ceiling Outlets

DISS



General Specifications:

The medical gas outlet shall be an Amico Alert-1 series.

Outlet back bodies shall be manufactured with a DISS gas specific fitting which accepts only DISS specific adaptors. The body shall be of 1-5/16" (33 mm) diameter, one piece brass construction. For positive pressure gas services, the outlet shall be equipped with a primary and secondary check valve and the secondary check valve shall be rated at a maximum of 200 psi (1,379 kPa) in the event the primary check valve is removed for maintenance. Outlet bodies shall be gas specific by indexing each gas service to a gas specific pin indexing arrangement on the respective identification module.

A color coded front shall be used for ease of gas identification and aesthetic appeal.

With the back rough-in mounted, the outlet shall adjust up to 1" (25 mm) variation in mounting plate thickness.

The latch-valve assembly shall be DISS type and only accept corresponding DISS type gas specific adaptors.

All outlets shall be cleaned and degreased for medical gas service, factory assembled and tested.

The outlets are UL listed.

Amico products comply with NFPA 99.

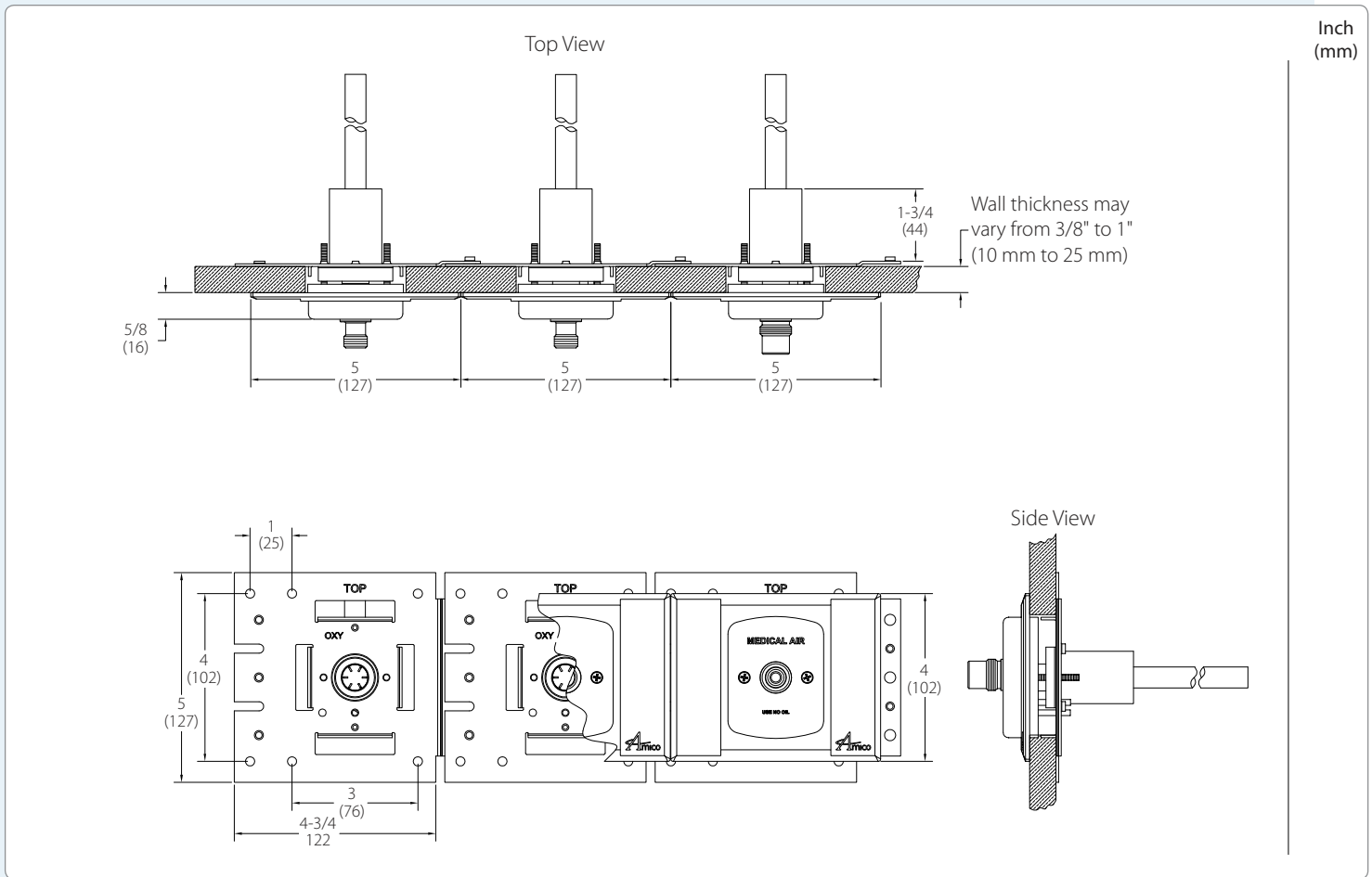
Features:

- Flow rate exceeds the requirements of NFPA and CSA
- Accepts only DISS gas specific adaptors
- 100% pressure testing of each outlet and cleaned for medical gas service
- Indexed to eliminate interchangeability of gas services
- Up to 1" (25 mm) mounting plate thickness adjustment

Project



Technical Specifications



Model Numbers

OC-DISCEI-L-XXX

The "L" defines the Language:

- U = English (NFPA)
- E = English (CSA/ISO) for NIT, N2O, CO2

Examples: Oxygen NFPA = OC-DISCEI-U-OXY

The "XXX" defines the Gas:

- Oxygen = OXY
- Medical Air = AIR
- Nitrous Oxide = N2O
- Carbon Dioxide = CO2
- MedVac¹ = VAC
- Waste Anesthetic = WAG
- Gas Disposal = WAG
- Instrument Air = INA
- Nitrogen = NIT