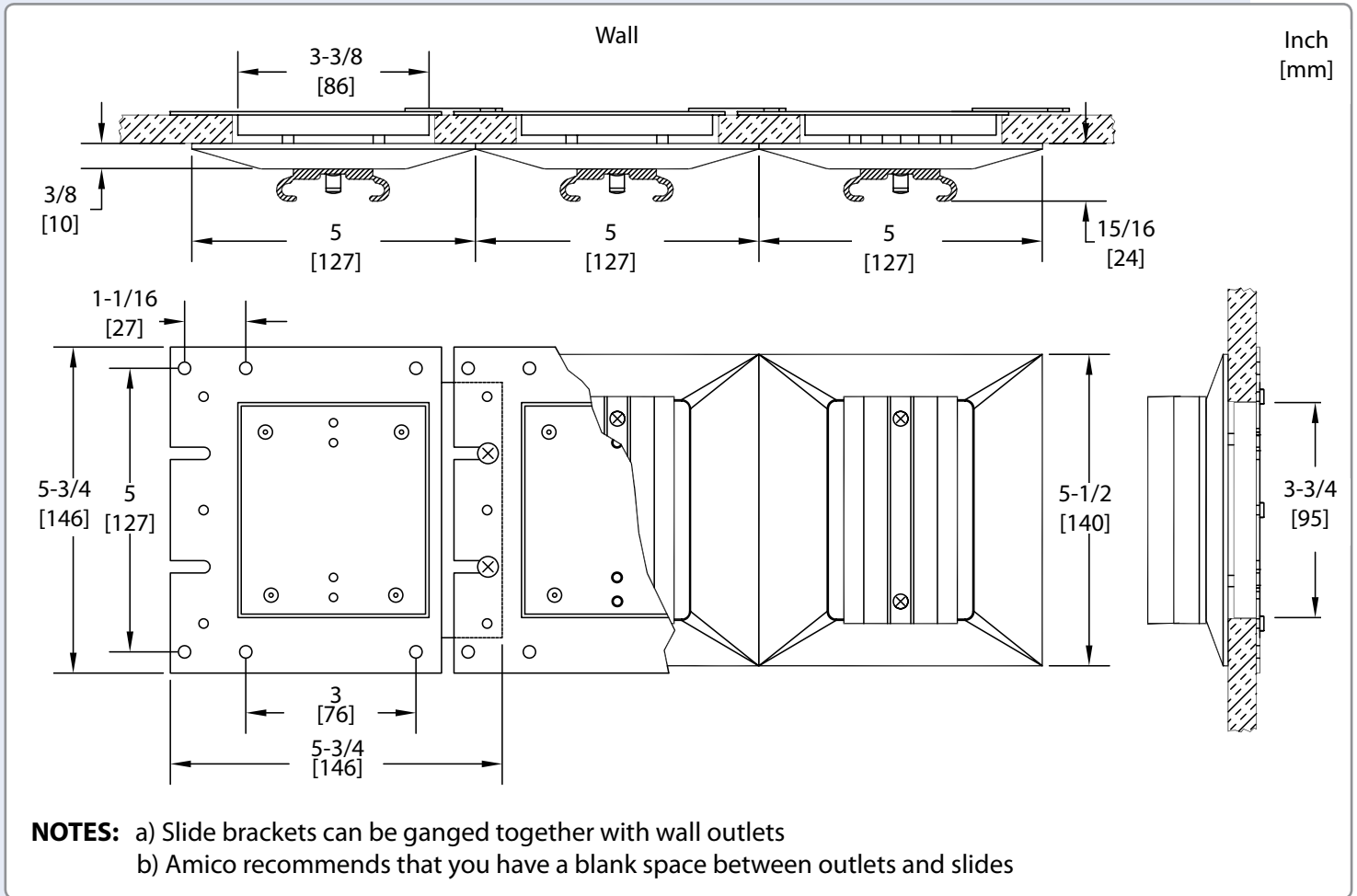
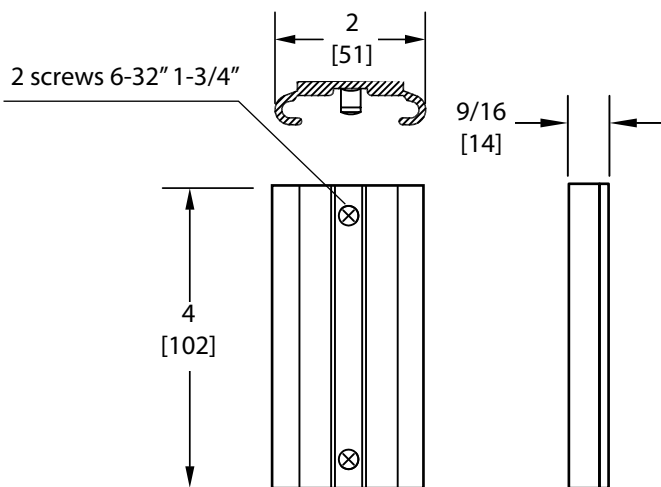


Slide Bracket Wall and Console



Console



Model Numbers

Wall Slide:
Console Slide:

O-WALSLIDE
O-CONSLIDE

Materials of Construction
Slide:
Stopper:
Screws:
Cover Plate:
Back-Assembly:

Anodized Aluminium
Nylon
Plated Steel
Chrome plated ZINC
Plated Steel

Available for M.R.I.
Wall Slide (M.R.I):
Console Slide (M.R.I)

O-WALSLIDE-M
O-CONSLIDE-M

Technical Specifications

