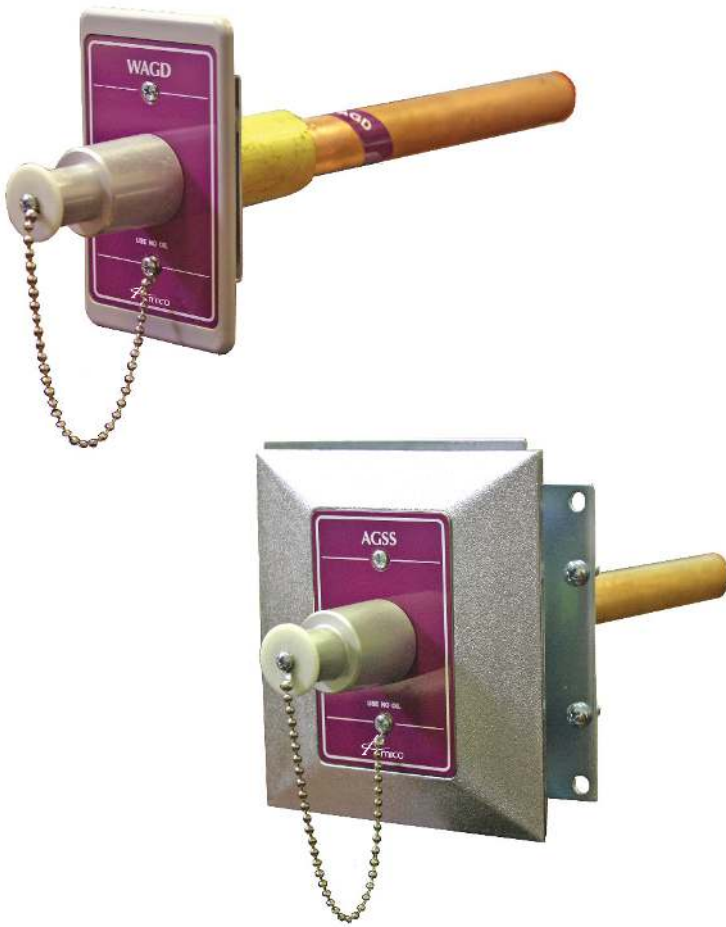


Ceiling Outlet (WAGD)(AGSS)



Features:

- Flow rate exceeds the requirements of NFPA
- 100% Hydrostatic testing of each outlet and cleaned for medical gas service
- Indexed to eliminate interchangeability of gas services
- Up to 1" [25mm] wall thickness adjustment
- Outlets are also available for M.R.I use

General Specifications:

The medical gas outlet shall be an Amico Alert-1 series.

The Passive Outlets shall be manufactured with a 7 - 1/4" [184mm] length type "K" 7/8" [22mm] outside diameter, 3/4" nominal size copper inlet pipe stub, which is silver brazed to the outlet body. Suction inlets are not supplied with a secondary check valve. A pressure plug is provided for testing purposes, rated at 150psi [1,034kPa]. Outlets bodies shall be gas specific by indexing each gas service to a gas specific dual pin indexing arrangement on the respective identification module.

A large color coded front plate shall be used for ease of gas identification and aesthetic appeal.

A one piece chromed fascia plate shall frame the outlet. With the back rough-in mounted, the outlet shall adjust from 3/8" [10mm] to 1" [25mm] variation in wall thickness.

The outlet shall be of modular design and include a gas specific 16ga [1.6mm] steel mounting plate designed to permit on-site ganging of multiple outlets, in any order, on 5" [127mm] spacing.

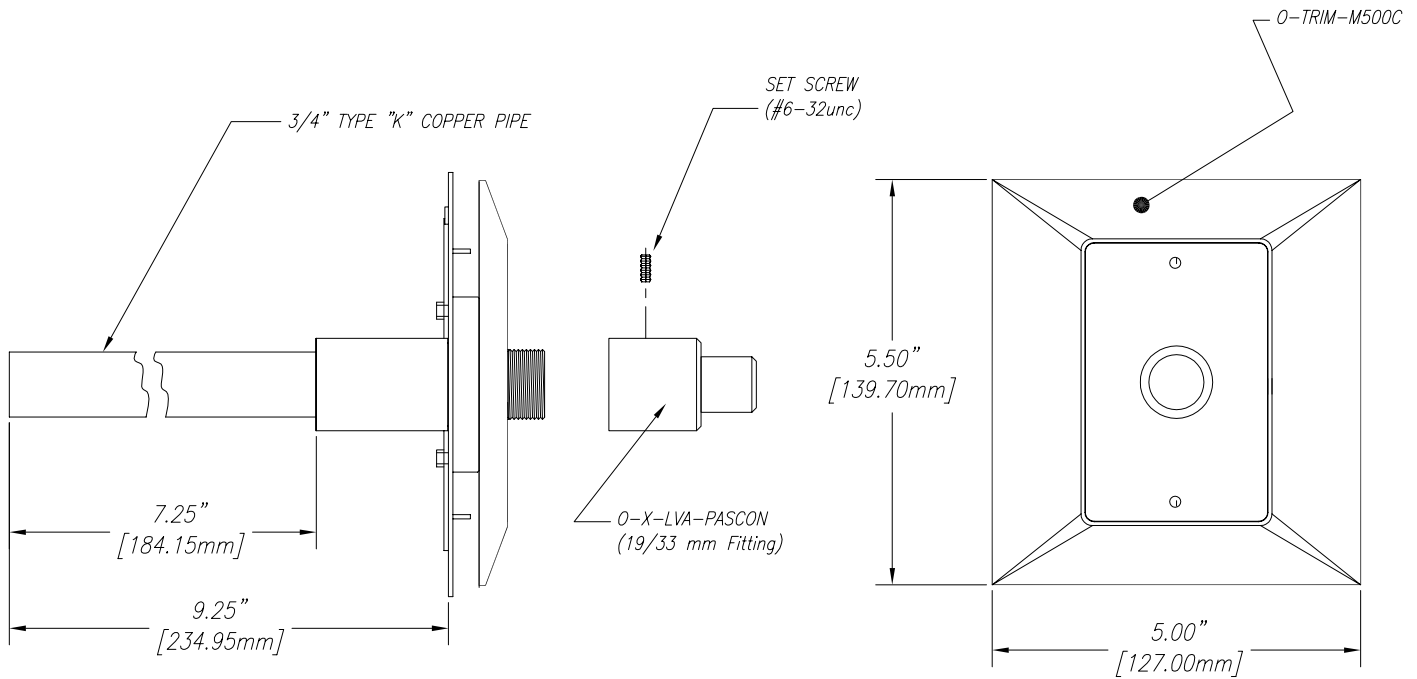
The Passive Front Latch-Valve Assembly is assembled with an aluminum adapter, which accommodates 19/33mm hose.

All M.R.I outlets are manufactured from nonferrous materials.

All outlets shall be cleaned and degreased for medical service, factory assembled and tested.

Amico products comply with NFPA-99

Technical Specifications



NOTE:
 Passive suction inlets are not supplied with a secondary check valve. A pressure plug is provided for testing purposes, rated at 150 psi [1,034 kPa]

Model Numbers

Labeling

WAGD (Waste Anesthetic Gas Disposal) - NFPA/US Standard
 AGSS (Anesthetic Gas Scavenging System) - CSA/ISO Standard

Front Latch Assembly Only

O-FASC-PAS-U-WAG (O-FAMC-PAS-U-WAG for M.R.I.)
 O-FASC-PAS-E-AGS (O-FAMC-PAS-E-AGS for M.R.I.)

Back Wall Ceiling Station Outlets

O-BAKCEI-PAS-U-WAG (O-BAKCEIM-PAS-U-WAG for M.R.I.)
 O-BAKCEI-PAS-E-AGS (O-BAKCEIM-PAS-E-AGS for M.R.I.)

Back Console Ceiling Station Outlets

O-BAKCCOL-PAS-U-WAG (O-BAKCCOLM-PAS-U-WAG for M.R.I.)
 O-BAKCCOL-PAS-E-AGS (O-BAKCCOLM-PAS-E-AGS for M.R.I.)

Passive Wall Ceiling Station Outlets

O-PASCEI-U-WAG (O-PASCEIM-U-WAG for M.R.I.)
 O-PASCEI-E-AGS (O-PASCEIM-E-AGS for M.R.I.)

Passive Console Ceiling Station Outlets

O-PASCCOL-U-WAG (O-PASCCOLM-U-WAG for M.R.I.)
 O-PASCCOL-E-AGS (O-PASCCOLM-E-AGS for M.R.I.)