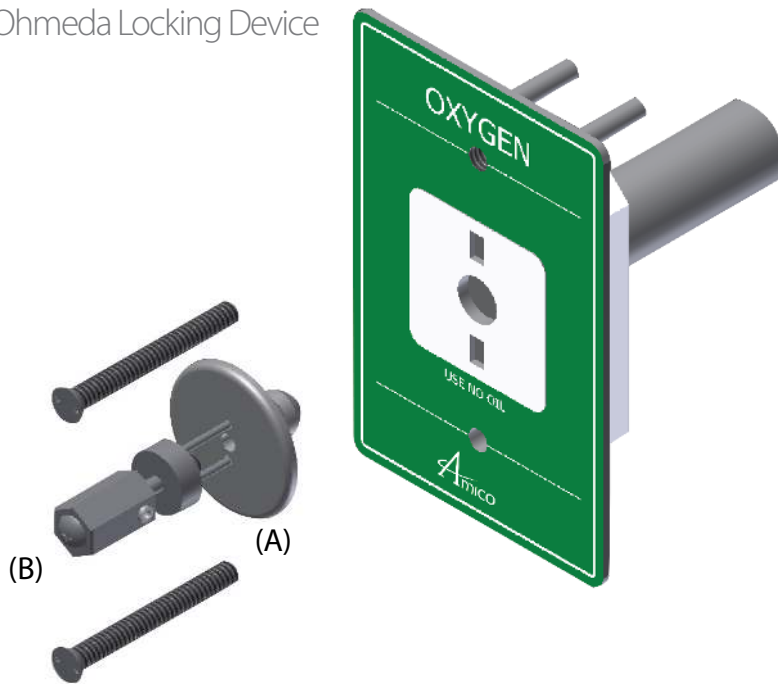


Outlet Locking Device

Ohmeda & DISS



Ohmeda Locking Device



General Specifications:

The Ohmeda Locking device shall be an Amico Alert-1 Series.

The locking device shall limit any tampering with the internal primary check assembly of the latch-valve.

Each device will plug into place without causing an interruption of the seal. When the outlet is needed to be used, a key will be inserted into the lock, and turning the key will allow the lock to pop out.

The locking device is made from machined brass that is chrome plated for an aesthetic appearance. The key is made from machined brass and stainless steel. The brass is also chrome plated for aesthetic appearance.

Model Numbers

S-OHM-LOCK (A)

The Ohmeda locking kit is made up of:
(1) Brass (chrome plated) lock

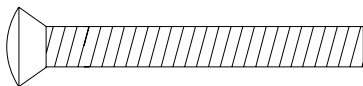
Additional Items Sold Separately

H-OH-0615-TAMP

(2) Tamper Proof 6-32 x 1-1/2" SS Mach.Screw



Top View



Side View

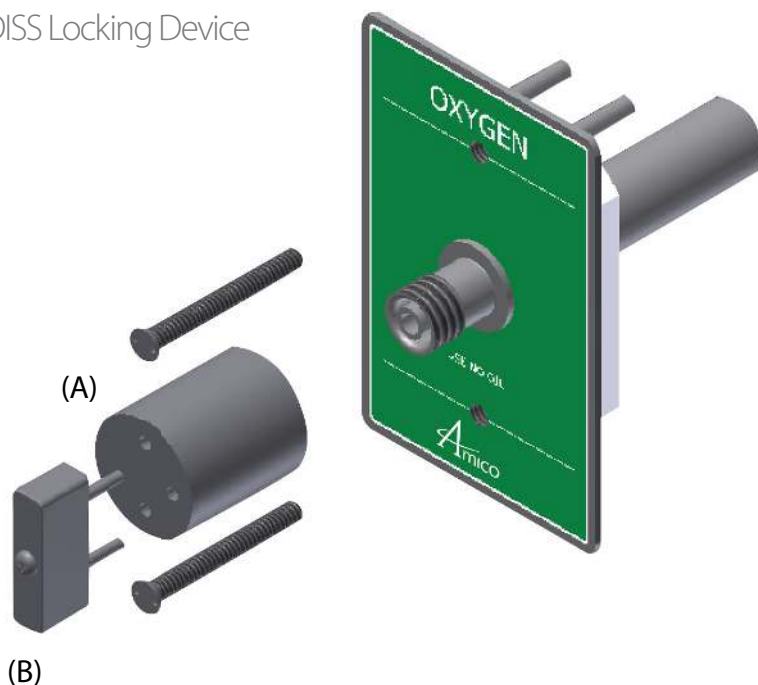
O-X-LVA-TAMPBIT

Screwdriver bit for tamper proof screw.

S-OHM-KEY (B)

The Ohmeda locking key includes:
(1) Brass (chrome plated) and Stainless Steel key

DISS Locking Device



General Specifications:

The DISS Locking device shall be an Amico Alert-1 Series.

The locking device shall limit any tampering with the internal primary check assembly of the latch-valve.

Each device will screw into place without causing an interruption of the seal. When the outlet is needed to be used, a key will be inserted into the lock, and turning the key will allow the device to be loosened for removal.

The locking device is made from anodized aluminum for an aesthetic appearance. The key is made from anodized aluminum and stainless steel.

Model Numbers

O-LOCK-DIS-OXY (A)

The DISS locking kit is made up of:
(1) Anodized aluminum Oxygen nut

OR

O-LOCK-DIS-OTH

The DISS locking kit is made up of:
(1) Anodized aluminum Gas (Air,CO₂,N₂O,Nit,Vac) nut.

O-LX-KEY-ALL (B)

The DISS locking key includes:
(1) Anodized aluminum key (All Gases).

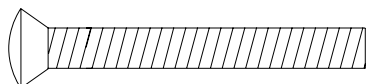
Additional Items Sold Separately

H-OH-0615-TAMP

(2) Tamper Proof 6-32 x 1-1/2" SS Mach.Screw



Top View



Side View

O-X-LVA-TAMPBIT

Screwdriver bit for tamper proof screw.