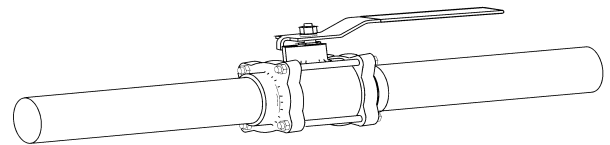


1/2" To 4" Ball Valves

Elements

- For control of most common medical gases, including nitrogen and vacuum
- Includes copper extensions and gauge port
- Full port flow-through design reduces gas flow restrictions
- Complies with Federal Standard WW-V35B Type II Class A, Style 1
- Cleaned for oxygen service
- Durable seals for longer, trouble-free life
- Blow-out proof stem



Description

All ball valves are factory cleaned for oxygen service and conform to NFPA 99 standards. Each 1/2" to 4" valve consists of Teflon seats and adjustable stem packing gland with a Teflon stem seal. The 2-1/2" and 3" valves consist of Teflon seats and double Teflon stem seals.

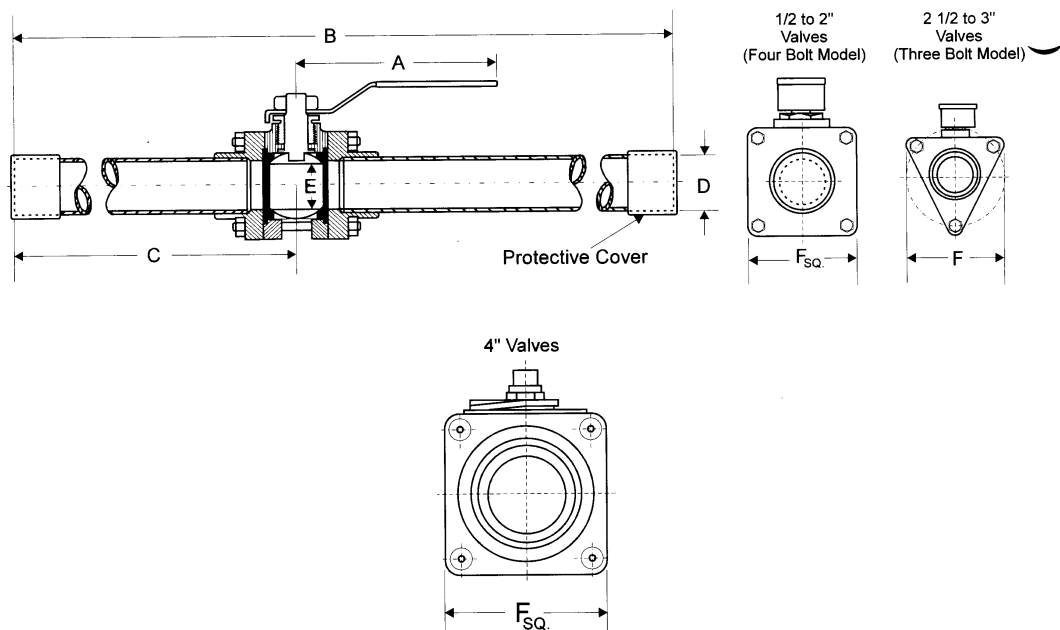
All ball valves are rated at 400 psig, as well as full vacuum (29.9" Hg). Valves go from full ON to full OFF by turning the vinyl-gripped valve handle 90°. Locking-type handles may be ordered separately when required. Copper tubing is factory installed to help prevent valve seat damage during soldering. Main and riser valves are not required to be installed in a box unless specifically noted or required.

Materials

- Body - Bronze
- End plates - Bronze
- Ball - Chrome-plated bronze micro smooth finish up to 3"
- 4" Ball - High polish brass
- Handle - Steel, vinyl grip up to 2"
- Stem - Brass
- Seats/Packing/Stem Seal - Teflon up to 4"
- Tube extension - Type K copper

Dimensional Information

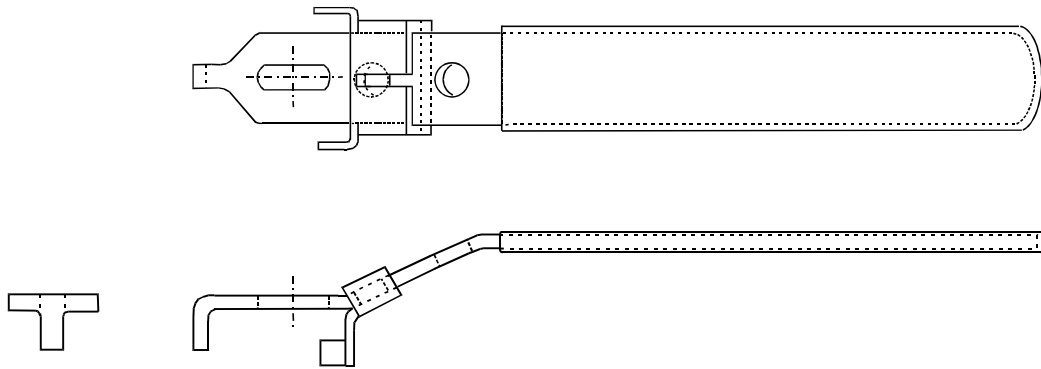
Catalog Number	Quantity	Size (inches)	Size (cm)	A	B	C	D	E	F
77-03-0002		1/2	13	4-7/8 (124)	19 (482)	6-3/4 (171)	5/8 OD (16)	5/8 (16)	1-25/32 (45)
77-03-0003		3/4	19	4-7/8 (124)	19 (482)	6-3/4 (171)	7/8 OD (22)	13/16 (21)	1-63/64 (50)
77-03-0004		1	25	5-1/2 (140)	19 (482)	6-3/4 (171)	1-1/8 OD (29)	1 (25)	2-7/32 (56)
77-03-0005		1-1/4	32	5-1/2 (140)	19 (482)	6-3/4 (171)	1-3/8 OD (35)	1-1/4 (29)	2-45/64 (69)
77-03-0006		1-1/2	38	8 (203)	19 (482)	6-3/4 (171)	1-5/8 OD (41)	1-1/2 (38)	3 (76)
77-03-0008		2	51	7-1/2 (190)	19 (482)	6-3/4 (171)	2-1/8 OD (54)	2 (51)	3-7/8 (98)
77-01-0012		2-1/2	64	8-1/16 (205)	23-1/2 (597)	8-1/2 (216)	2-5/8 OD (67)	2 (51)	5-3/16 (132)
77-01-0013		3	76	8-1/8 (206)	24 (610)	8-1/2 (216)	3-1/8 OD (79)	2-1/2 (64)	6-3/4 (171)
77-01-0014		4	102	16 (406)	25-1/2 (648)	12-3/4 (324)	4-1/8 OD (105)	3 (76)	6-3/8 (162)



Locking Handles

The ball valve lockable handle is an accessory device used to lock medical gas valves open or closed for security as required by NFPA 99.

Handles are field installed after valve installation and testing. Valves can be secured with standard padlocks (not included).



Catalog Number	Quantity	Ball Valve Size
77-03-9206		1/2" and 3/4"
77-03-9207		1" and 1-1/4"
77-03-9208		1-1/2" and 2"
77-03-9212		2-1/2"
77-03-9236		3"
77-03-9214		4"



1/2" To 4" Ball Valves

All specifications are nominal and subject to change without notice.

Warranty:
See Allied Statement of Warranties for details.

Customer Service:

USA: (800) 444-3960
FAX: (314) 771-7537
Canada/Mexico: (800) 446-0552
FAX: (800) 246-6201
International: (314) 268-1683
FAX: (314) 771-5183



1720 Sublette Avenue
St. Louis, MO 63110 USA
(314) 771-2400
www.alliedhpi.com
ISO 9001 CERTIFIED

© 2005 Allied Healthcare Products, Inc.® Printed in USA

Product Specification

Form 77-00-0012 November 2005