

400 Series Chemetron® Quick-Connect Medical Gas Outlets

Elements

- Safety keyed to help prevent cross-connections
- Conforms to NFPA 99
- Rough-in channel box protected by metal plaster guard until final assembly
- Adjustable valve mechanism to compensate for variations in plaster thicknesses up to 3/8"
- Cleaned for oxygen service
- UL listed



Description

The Chemetron® 400 Series outlet stations provide convenient access to medical gases in patient care locations. They are fully compatible with Chemetron-style latch-keyed adapters.

Finish plates are stainless steel with a satin finish. Outlet finish plates and rough-in plates are safety keyed for positive cross-connection prevention. Primary valves are separate from the finish plate, allowing easy testing for leaks and cross-connection. Primary valves are made of brass and contain a chrome-plated self-sealing poppet. Primary valves are field adjustable to compensate for variations in plaster thickness of 1/2" to 3/4".

The type K copper inlet tube has a 1/2" OD connection. The primary gas check can be serviced without shutting off the gas supply.

The outlet stations are fully compliant with NFPA 99 1999 and CSA Z-305, and are cleaned for oxygen service in accordance with CGA G-4.1. The outlet is UL listed.

The latch release is color-coded and labeled for the gas service. Release is easily accomplished with one hand using a latch release. The primary valve poppet provides a dust-proof seal. Vacuum outlets may be used with or without slide brackets for vacuum collection bottles of up to 1/2-gallon capacity. (Where slide brackets are used, order one per vacuum outlet.)



400 Series Chemetron Quick-Connect Medical Gas Outlets

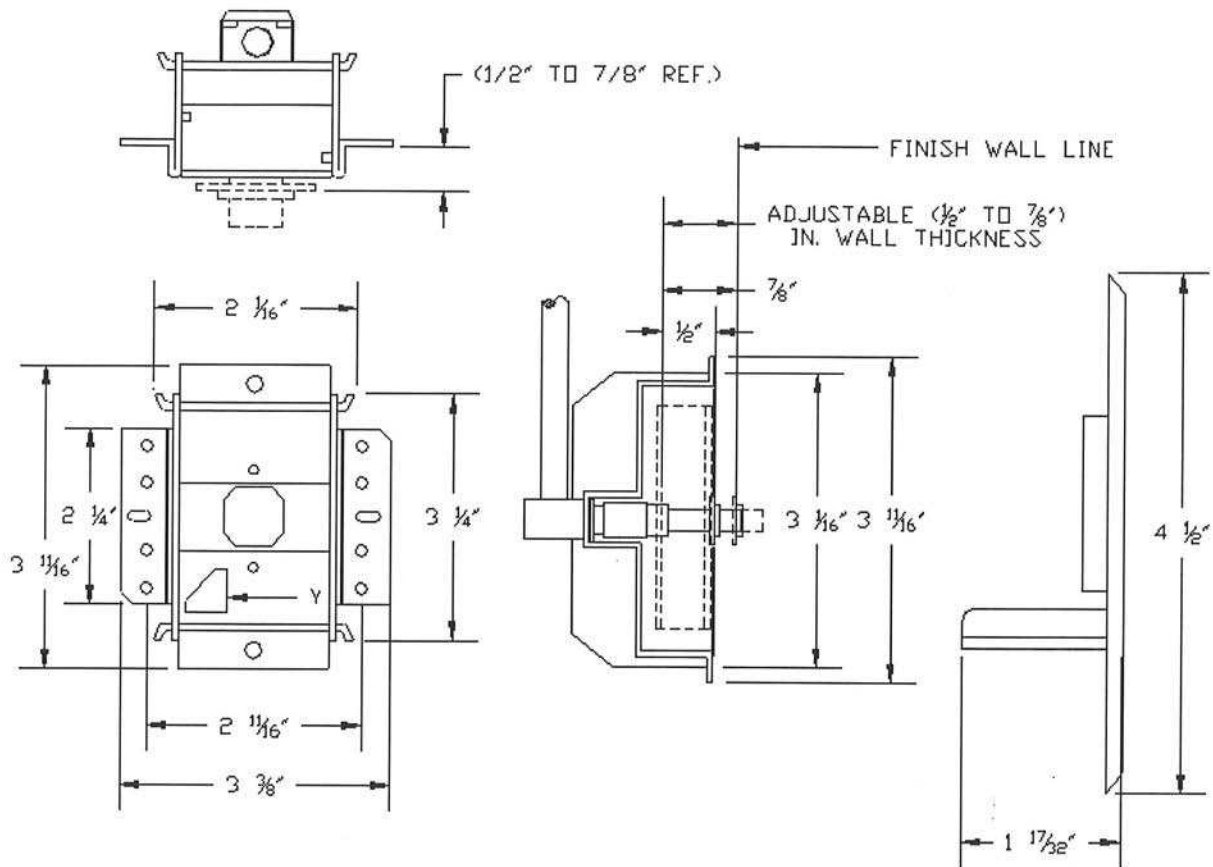
Materials

Component	Material
Valve Body	Machined Brass Viton Seal
Valve Block	Brass Forging/Machined Brass Type K or L Seamless Copper Tube Viton Seal
Outlet Box	20 Gauge Steel
Cover Plate	Stainless Steel #4 Satin Finish Buffed Edge Plastic Color-Coded Release Button

Ordering Information

Gas Service	Top Inlet Connection	Quantity	Bottom Inlet Connection	Quantity
Oxygen	64-20-0001		64-26-0001	
Vacuum	64-20-0005		64-26-0005	
Air	64-20-0002		64-26-0002	
Nitrous Oxide	64-20-0006		64-26-0006	
Evacuation Vacuum	64-20-0008		N/A	
Carbon Dioxide	64-20-0004		N/A	
Oxygen/CO2 (CO2 less than 7%)	64-20-0003		N/A	
Slide Bracket	64-59-1212		64-59-1212	

Dimensional Data



Refer to installation instructions prior to assembly.



400 Series Chemetron Quick-Connect Medical Gas Outlets

All specifications are nominal and subject to change without notice.

Warranty:
See Allied Statement of Warranties for details.

© 2006 Allied Healthcare Products, Inc.® Printed in USA

Customer Service:

USA: (800) 444-3960
FAX: (314) 771-7537
Canada/Mexico: (800) 446-0552
FAX: (800) 246-6201
International: (314) 268-1683
FAX: (314) 771-5183



1720 Sublette Avenue
St. Louis, MO 63110 USA
(314)771-2400
www.alliedhpi.com
ISO 9001 CERTIFIED

Product Specification